

HAND SINKS
DH-17, DH-18, DH-19
(Including Low-Lead Option)



DH-17 & DH-17-LL



DH-18 & DH-18-LL



DH-19 & DH-19-LL

PROJECT#: _____

ITEM# _____

MODEL# _____

Low Cost Solutions for Back Room Operations:

- ◆ Supermarkets
- ◆ Convenience Stores
- ◆ Hospitals
- ◆ Factories

Features:

- ◆ Constructed from Heavy Gauge Type 304 Series Stainless Steel
- ◆ Available through the Amtekco Quick Ship Program
- ◆ All Sinks are N.S.F. Listed
- ◆ Multiple Designs for Multiple Applications

Mechanical Specifications:

- ◆ “LL” Model Number Indicates Plumbing Meets “Low Lead” or “Lead-Free” Faucet Specifications
- ◆ Sink Bowl is 13-3/4” x 10” x 5-1/2”
- ◆ Crumb Cup Drain 1-1/2” NPS
- ◆ Faucets 1/2” NPS
- ◆ Foot Valves & Knee Valves 1/2” NPS

MODEL#	SHIPPING WEIGHT
DH-17	13 lbs.
DH-17-LL	13 lbs.
DH-18	16 lbs.
DH-18-LL	16 lbs.
DH-19	17 lbs.
DH-19-LL	17 lbs.

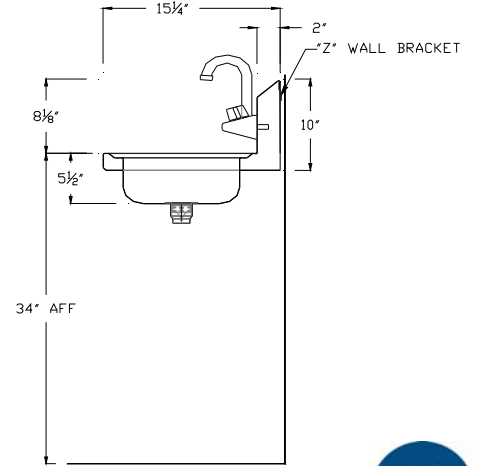
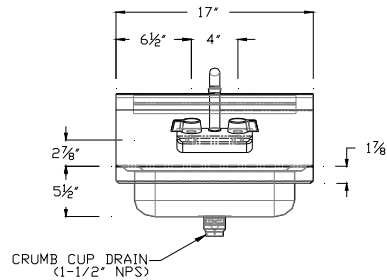
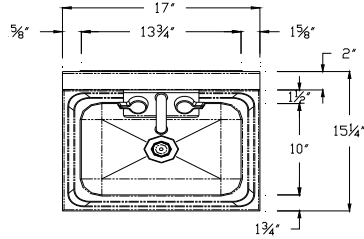
All Models Can Be Shipped U.P.S.

Amtekco offers a full line of standard hand washing sinks to satisfy every requirement and the most rigorous local sanitation requirements. These superior products feature type 304 stainless steel throughout for long life, ease in cleaning and low maintenance. Rugged, heavy gauge, die stamped and welded construction provides for rigid wall mounting for years of trouble free use. All faucets are N.S.F. listed.

Models are in stock for immediate shipments



HAND SINKS DH-17, DH-18, DH-19 (Including Low-Lead Option)

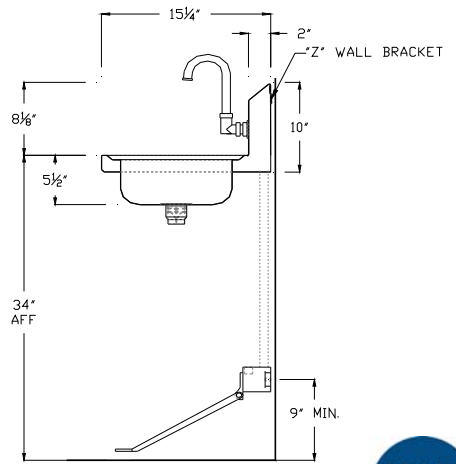
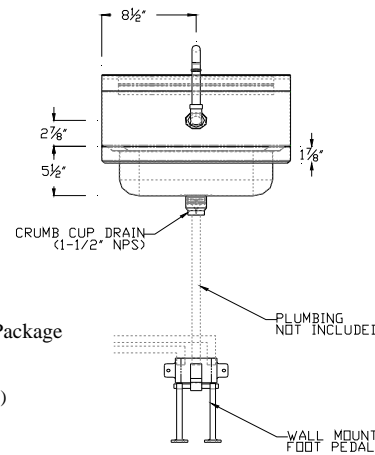
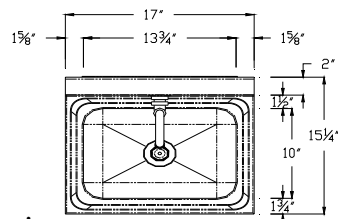


Accessories:

- ◆ Faucet—#BKF-W-3G w/ Gooseneck Spout (1/2" NPS)
- ◆ Low-Lead Faucet (Option)—#B-1146-01A w/ Gooseneck Spout (1/2" NPS)
- ◆ Crumb Cup Drain (1-1/2" NPS)
- ◆ Wall Mounting Bracket



DH-17

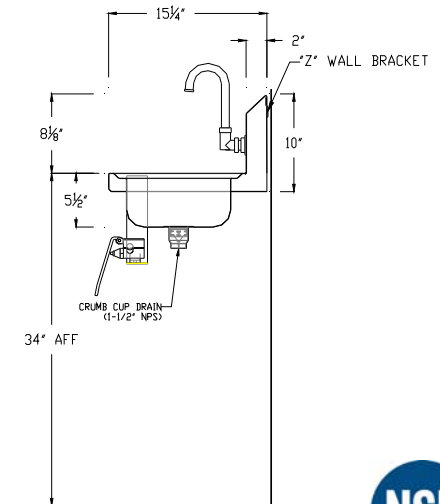
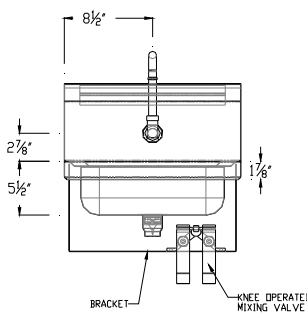
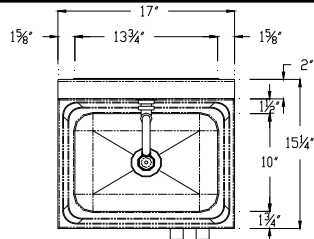


Accessories:

- ◆ #9127 Combination Package
 - ◆ #3176 Wall Mount Foot Pedal (1/2" NPS)
 - ◆ #3916 Gooseneck Faucet (1/2" NPS)
- ◆ Low-Lead Option: #B-0504-537K Combination Package
 - ◆ #B-0504 Wall Mount Foot Pedal (1/2" NPS)
 - ◆ #KL72-9000 Swivel Gooseneck Faucet (1/2" NPS)
- ◆ Crumb Cup Drain (1-1/2" NPS)
- ◆ Wall Mounting Bracket



DH-18



Accessories:

- ◆ #BKKVSGS Combination Package
 - ◆ #BKKV Knee Operated Mixing Valve (1/2" NPS)
 - ◆ #BKF-WMB-3G Gooseneck Faucet (1/2" NPS)
- ◆ Low-Lead Option: #B-0509-537K Combination Package
 - ◆ #B-0509 Wall Mount Foot Pedal (1/2" NPS)
 - ◆ #KL72-9000 Swivel Gooseneck Faucet (1/2" NPS)
- ◆ Crumb Cup Drain (1-1/2" NPS)
- ◆ Wall Mounting Bracket



DH-19